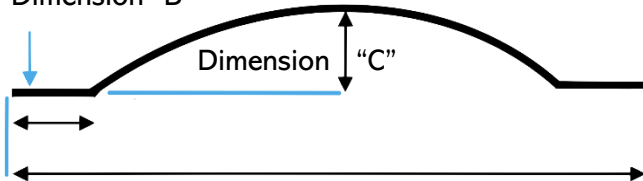


How to measure for a Dome Replacement:

Dimension "D" (Thickness of plastic std. 1/8")

Dimension "B"



Dimension "A"

(Outside to Outside of Acrylic, not the Retainer)

Color: Clear: _____ White: _____ Bronze: _____

Dimension "A" Width: _____ Length: _____

Dimension "B" (Flange): _____

Dimension "C" (Rise): _____

Dimension "D": _____ 1/8" _____ 3/16" _____ 1/4"

Quantity: _____



*Please circle picture above if dome has sharp rise as shown.



Information needed when quoting a Curb-Mount Skylight:

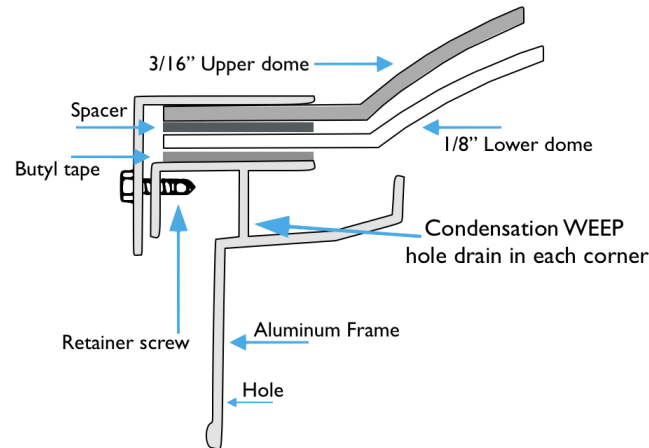
What is the outside dimension of the Curb?

Do you want a Mill Finish Frame or a Bronze Frame?

Is it a single dome or double dome?

What color dome/domes do you want?

Quantity: _____



Curb Mount: Designed and fabricated to be compatible with contractor curb and flashing. Mounts easily to your curb making it particularly acceptable in low and flat pitched roof applications.

Information needed when quoting a Self-Flashing Skylight:

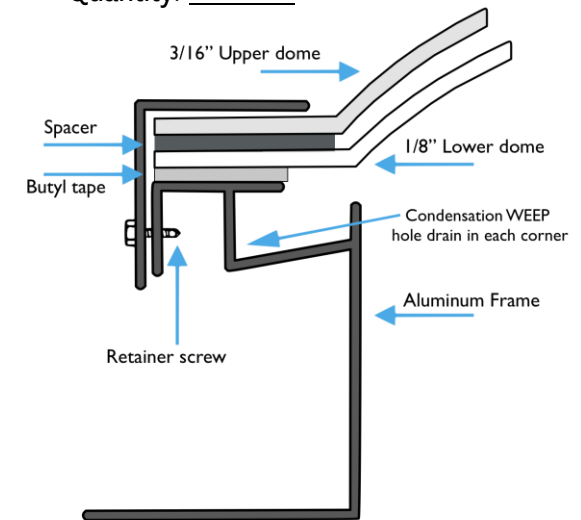
What are the dimensions of rough opening? *The measurement of hole in the roof.

Do you want a mill finish frame or a bronze frame?

Is it a single dome or double dome?

What color dome/domes do you want?

Quantity: _____



Self-Flashing: Designed and extruded with its own integral curbs makes it ideal for low pitch to high pitch roofs. Integral flashing even has its own nailing groove. Installs just like a vent